

# QUANTM i30 Industrial Pumps



AL series



SST en HAS series



CP, PP en PV series

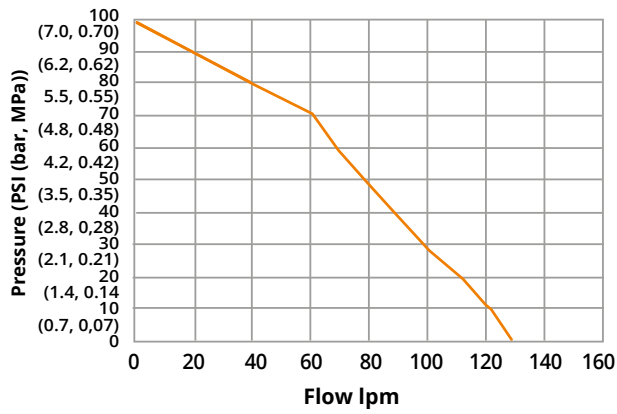
## TECHNICAL SPECIFICATIONS

<b>Maximum Fluid Pressure</b>	7 bar
<b>Maximum Fluid Flow</b>	115 lpm
<b>Maximum Particle Size</b>	3.2 mm
<b>Environmental Temp Rating</b>	-18 to 40 °C
<b>Fluid Connection</b>	AL, SST, HAS 1.0 in BSPT CP, PP, PV 1.0 in. ANSI/DIN
<b>Suction Lift</b>	Dry 3.5 m Wet 6.8 m
<b>Approvals</b>	ATEX
<b>Fluid Section Materials</b>	Aluminium, Stainless Steel, Polypropylene, Conductive Polypropylene, PVDF, Hastelloy
<b>Seat Options</b>	Aluminium, Santoprene, Geolast, Hytrel, Stainless Steel, Buna, FKM
<b>Check Ball Options</b>	TPE, Santoprene, Geolast, Hytrel, PTFE, Buna, FKM, Stainless Steel, Acetal
<b>Diaphragm Options</b>	2-piece PTFE, PTFE OM, Santoprene, Buna, FKM, Geolast, Hytrel
<b>Seals and Gasket Options</b>	PTFE, Buna

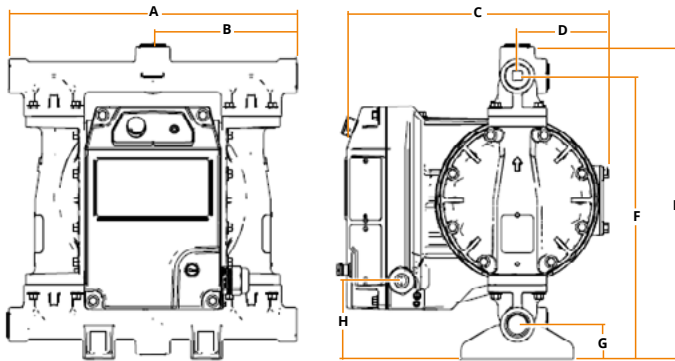
## ELECTRICAL RATINGS

	RATED VOLTAGE	PHASE	HERTZ	CURRENT	PLUG TYPE	APPROVALS
<b>F2 motor</b>	230 V	1	50 Hz	10 A	NEMA L15-20	-
<b>F4 motor</b>	230 V	1	50 Hz	10 A	No Plug	ATEX

# PERFORMANCE

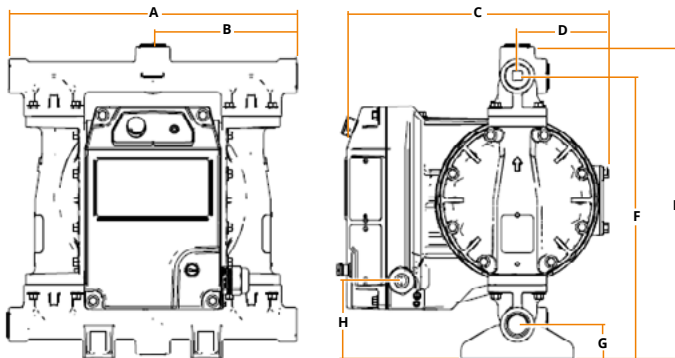


## ALUMINIUM PUMPS



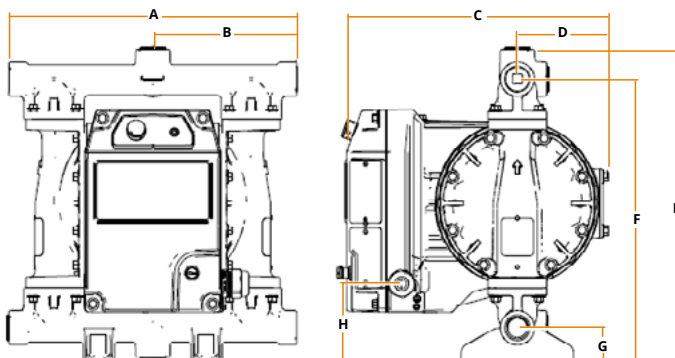
DIM	CM
A	37.34
B	18.67
C	33.66
D	11.61
E	40.49
F	36.68
G	4.47
H	9.40
J	12.70
K	13.97
<b>WEIGHT: 28.1 KG</b>	

## STAINLESS STEEL & HASTELLOY



DIM	CM
A	35.31
B	16.71
C	33.66
D	11.61
E	34.80
F	32.77
G	2.79
H	5.59
J	12.70
K	13.97
<b>WEIGHT: 35.8 KG</b>	

## POLYPROPYLENE, CONDUCTIVE POLYPROPYLENE & PVDF



DIM	CM
A	18.67
B	18.67
C	33.66
D	11.61
E	45.21
F	39.88
G	6.35
H	11.91
J	12.70
K	26.47
<b>WEIGHT:</b>	
PP, CP	27.7 KG
PV	30,4 KG

### HOLLAND AIR PUMPS BV

DE SCHEPER 260  
NL 5688 HP OIRSCHOT  
THE NETHERLANDS

### PHONE

+31 (0)499 551 000

### EMAIL

INFO@HOLLANDAIRPUMPS.NL

### VAT

NL8033.13.123.B01

### ING BANK ACC

NL79 INGB 068 29 36 02

### ONLINE

WWW.HOLLANDAIRPUMPS.NL

### CHAMBER OF COMMERCE

ROTTERDAM 24.252.831